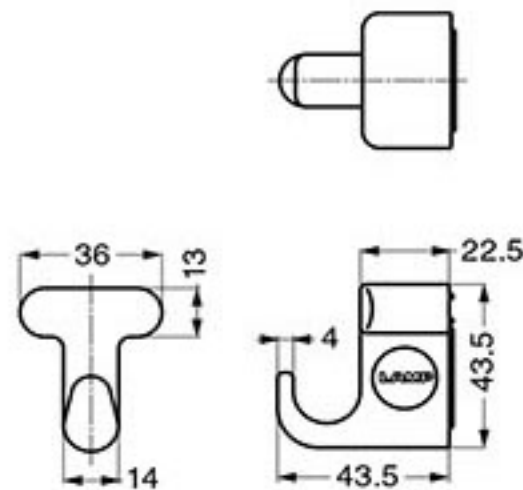


MAGNETIC HOOK

MJ-45



Features

- T-shaped magnetic hook made from two magnets, holds position firmly.
- Available in 3 different colors. Recommended for use on desks, lockers, refrigerators, cars and other types of items with similar surfaces.

Item Code	Item Name	Material	Colour	Load Capacity		Weight	Box	Carton
110-051-070	MJ-45I	ABS/Steel	Ivory	19.6 N	2 kgf	64 g	20 pcs	240 pcs
110-051-071	MJ-45RA	ABS/Steel	Orange	19.6 N	2 kgf	64 g	20 pcs	240 pcs
110-051-073	MJ-45BR	ABS/Steel	Brown	19.6 N	2 kgf	64 g	20 pcs	240 pcs

